

3-Phase Regulator Rectifier Lineup

SHINDENGEN
ELECTRIC MFG. CO., LTD

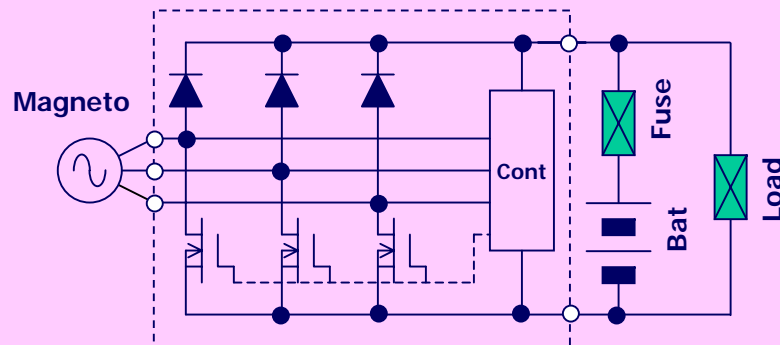


FH012 Standard Model

Outline



Connecting Diagram



Electrical Characteristic

Item	Min	Typ	Max	Unit
Set-point	14.1	14.5	14.9	Vave
Temperature Coefficient	-3	0	+3	mV/
Output Current	-	-	50	Aave
Continuous Output Current	Refer to Ta-Io De-rating Curve			Aave

Ta-Io De-rating Curve

